

TAKEUCHI

Those in the know, know Takeuchi

OPERATING PERFORMANCE

Operating Weight	Cab 12,509 lbs (5,674 kg)
Maximum Digging Depth	12 ft 9.4 in (3,895 mm)
Maximum Dump Height	13 ft 10.1 in (4,220 mm)
Maximum Reach	20 ft 6.9 in (6,270 mm)
Maximum Bucket Breakout Force	12,756 lbs (5,786 kg)
Maximum Arm Digging Force	5,752 lbs (2,609 kg)
Arm Length	5 ft 10.1 in (1,780 mm)
Slew Speed	9.4 rpm
Traction Force	13,997 lbs (6,349 kg)

ENGINE

Make / Model	Yanmar / 4TNV86CT
Tier Rating	EPA Tier 4
Cylinders / Displacement	4 / 127.6 cu in (2.1 L)
Horsepower Net (ISO 14396)	47.6 hp (35.5 kW)
Rated Engine Speed	2,400 rpm
Maximum Torque	149.1 ft-lb (202.2 Nm) @ 1,700 rpm
Engine Lubrication	7.8 qt (7.4 L)
Cooling System	11.6 qt (11.0 L)
Fuel Tank Capacity	20.8 gal (78.6 L)
Fuel Consumption (65% of full load)	1.6 gal / hr (6.3 L / hr)
Electrical System	12 volts / 55 amps

UNDERCARRIAGE

Traction Drive Type	Planetary Reduction w/ Automatic Shift
Parking Brake	Spring Applied, Hydraulically Released, Multiple Wet Friction Disk
Track Roller Type	Permanently Sealed, Triple Flanged Rollers
Track Rollers	5 per side
Track Width	15.7 in (400 mm)
Track Ground Contact Length	6 ft 8.7 in (2,050 mm)
Ground Pressure	4.51 psi (31.1 kPa)
Maximum Travel Speed	
Low Range	1.7 mph (2.8 km / hr)
High Range	3.0 mph (4.9 km / hr)

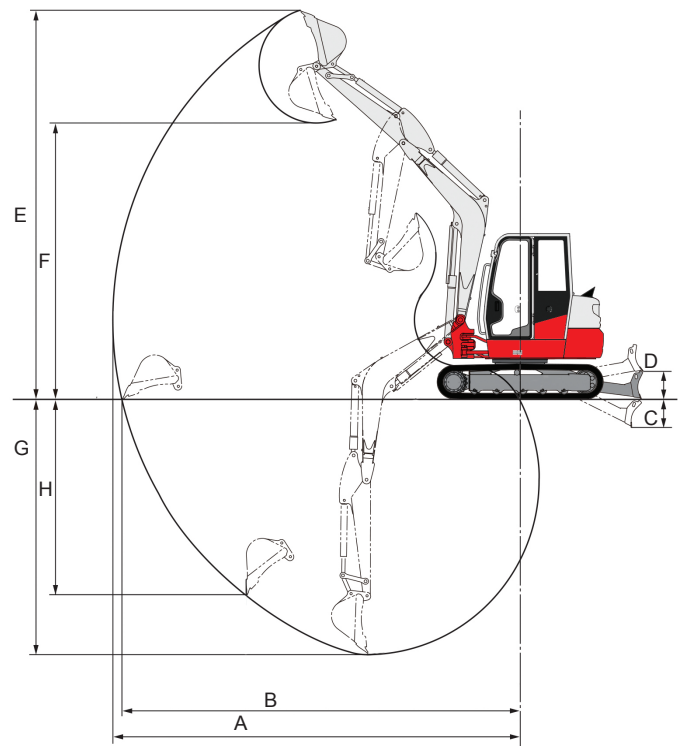
HYDRAULIC

Pump Type	Two Piston Pumps with Two Gear Pumps
Total Hydraulic Flow	45.3 gal / min (171.5 L / min)
Primary Auxiliary Hydraulic Flow	27.0 gal / min (102.2 L / min)
Secondary Auxiliary Hydraulic Flow	11.6 gal / min (43.9 L / min)
System Operating Pressure	3,480 psi (24,000 kPa)
Hydraulic Reservoir Capacity	12.9 gal (49.0 L)
Hydraulic System Capacity	23.8 gal (90.0 L)



WORKING DIMENSIONS

A. Maximum Reach	20 ft 6.9 in (6,270 mm)
B. Maximum Reach Ground Level	20 ft 1.4 in (6,160 mm)
C. Blade Maximum Lower	1 ft 4.9 in (430 mm)
D. Blade Maximum Lift	1 ft 4.9 in (430 mm)
E. Maximum Dig Height	19 ft 5.9 in (5,940 mm)
F. Maximum Dump Height	13 ft 10 in (4,220 mm)
G. Maximum Dig Depth	12 ft 9.4 in (3,895 mm)
H. Maximum Vertical Dig Depth	9 ft 9.3 in (2,980 mm)



Product Features

ENGINE

- ◆ EPA Tier 4 Compliant with DPF
- ◆ Turbocharged
- ◆ Automatic Fuel Bleed System
- ◆ Extended Life Coolant
- ◆ Dual Element Air Cleaner
- ◆ Automatic Idle
- ◆ Engine Modes Include: Power, Eco and High Altitude
- ◆ Engine Preheat Starting Aid
- ◆ High Capacity Radiator
- ◆ High Capacity Fuel Filters

ELECTRICAL

- ◆ Multi-Information Display Includes Digital Gauges for Coolant Temperature, Fuel Level, Engine Speed, PM (Particulate Mater) Accumulation, and Lift Load Percentage
- ◆ Audible and/or Visual Alerts for Battery Level, Engine Oil Pressure, Fuel / Water Sensor, High Engine Coolant Temperature, Engine Air Filter Restriction, Fuel Filter Restriction, Low Fuel Level, Automatic Idle, Regeneration Status, Engine Preheat, Travel Speed Indicator, Work Light Indicator
- ◆ 12 volt System with 55 amp Alternator
- ◆ Multi-Function Switch Bank
- ◆ Work Lights: Front and Side Halogen
- ◆ Travel Alarm
- ◆ Horn

UNDERCARRIAGE AND FRAME

- ◆ Triple Flanged Track Rollers
- ◆ 2-Speed Travel with Automatic Shift
- ◆ High Torque Planetary Final Drive
- ◆ Heavy Duty Dozer Blade with Float
- ◆ Large Wrap Around Counterweight
- ◆ 15.7 in Rubber Tracks
- 15.7 in Steel Tracks
- 15.7 in Road Liner Style Tracks
- Power Angle Blade with Float and Bolt on Cutting Edge

HYDRAULIC

- ◆ Variable Displacement, Pressure Compensating Pump
- ◆ Cushioned Boom, Arm and Swing Cylinders
- ◆ Precise and Responsive Pilot Controls with Proportional Slide Switch for Auxiliary Circuit
- ◆ Large Hydraulic Reservoir with Fluid Level Sight Gauge
- ◆ Primary and Secondary Auxiliary Hydraulic Circuit Plumbed to Arm
- ◆ Selectable One-Way and Two-Way Auxiliary Operation
- ◆ Auxiliary Detent (Primary Circuit)
- ◆ Primary Auxiliary Circuit with 3 Selectable Modes and In Cab Flow Adjustments
- ◆ Secondary Auxiliary Circuit with Adjustable Flow Control System
- ◆ Pilot Accumulator
- ◆ High Capacity Side-by-Side Hydraulic Oil Cooler and Radiator

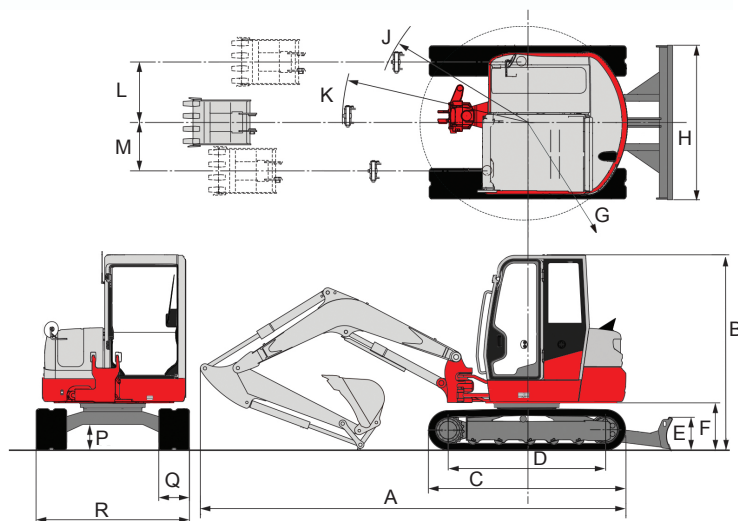
◆ - Standard ○ - Optional

OPERATOR STATION

- ◆ Cab with Certified ROPS / FOPS Protection
- ◆ 8-Way Adjustable Cloth High Back Suspension Seat
- ◆ Quick Change Control Pattern (ISO or SAE)
- ◆ Top View Glass with Retractable Sunshade
- ◆ AM / FM / MP3 Radio
- ◆ Climate Control System for Air-Conditioning, Heat and Defrost
- ◆ 2 in Retractable Seat Belt
- 3 in Retractable Seat Belt

MACHINE DIMENSIONS

A. Transport Length	18 ft 2.5 in (5,550 mm)
B. Transport Height	8 ft 6.4 in (2,600 mm)
C. Undercarriage Length	8 ft 5.5 in (2,575 mm)
D. Track Ground Contact	6 ft 8.7 in (2,050 mm)
E. Dozer Blade Height	1 ft 5 in (430 mm)
F. Counter Weight Ground Clearance	2 ft 0.0 in (635 mm)
G. Tail Swing (Slew) Radius	4 ft 3.1 in (1,300 mm)
H. Dozer Blade Width	6 ft 6.7 in (2,000 mm)
J. Min. Front Radius (Offset)	6 ft 5.8 in (1,975 mm)
K. Min. Front Radius (Straight)	7 ft 11.3 in (2,420 mm)
L. Offset Working Distance (Right)	2 ft 6.9 in (785 mm) @ 55°
M. Offset Working Distance (Left)	2 ft 1.8 in (655 mm) @ 78°
P. Ground Clearance	13.0 in (330 mm)
Q. Track Shoe Width	15.7 in (400 mm)
R. Overall Width	6 ft 6.7 in (2,200 mm)



TAKEUCHI
Those in the know, know Takeuchi