

# TAKEUCHI

Those in the know, know Takeuchi

## OPERATING PERFORMANCE

Loader Type	Vertical
Operating Weight - Canopy	8,100 lbs (3,674 kg)
Tipping Load	5,270 lbs (2,594 kg)
Rated Operating Capacity, SAE J818*	2,653 lbs (1,203 kg)
Bucket Breakout Force	5,878 lbs (2,666 kg)
Lift Arm Breakout Force	5,871 lbs (2,663 kg)
Traction Force	8,700 lbs (3,946 kg)

\*Operating capacity of skid steer loaders is rated according to SAE J818 at no more than 50% of the tipping load.

## ENGINE

Make / Model	Perkins / 804D-33T, Turbocharged
Cylinders / Displacement	4 / 201 cu in (3.3 L)
Horsepower Gross	74 hp (55 kW)
Rated Engine Speed	2,500 rpm
Maximum Torque	180 ft-lb (245 Nm)
Engine Lubrication	9 qts (8.5 L)
Cooling System	12 qts (11 L)
Fuel Tank Capacity	30 gal (113 L)
Electrical System	12 volts / 90 amps

## DRIVE TRAIN AND FRAME

Traction Drive Type	Hydrostatic
Chain Case	Bow Tie Drive System
Chain Size	100 ANSI Chain
Wheel Size	12 x 16.5
Width Over Tires	72 in (1,829 mm)
Maximum Travel Speed:	
Single Speed	8.5 mph (13.6 km / hr)
Optional 2-Speed	12 mph (19.3 km / hr)

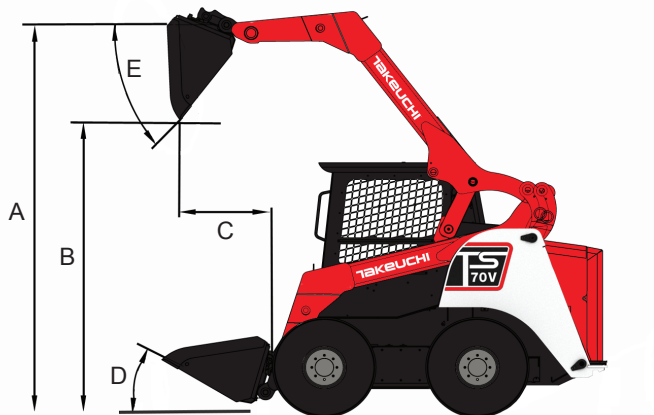
## HYDRAULIC

Hydraulic Reservoir Capacity	10.0 gal (38 L)
Auxiliary Flow - Primary Circuit	28 gal / min (106 L / min)
Hydraulic System Pressure	3,335 psi (22.9 MPa)



## WORKING DIMENSIONS

A. Maximum Lift Height to Bucket Pin	10 ft 9 in (3,277 mm)
B. Dump Height Fully Raised	8 ft 8 in (2,644 mm)
C. Dump Reach Fully Raised	3 ft 0 in (914 mm)
D. Maximum Bucket Rollback at Ground	30°
E. Maximum Dump Angle Fully Raised	34°



## Product Features

### ENGINE

- ◆ EPA Interim Tier 4 Compliant
- ◆ Engine Driven Fan
- ◆ Swing Out Cooler
- ◆ Dual Element Air Filter
- Engine Block Heater

### ELECTRICAL

- ◆ Machine Monitoring System w/ Tachometer, Fuel, and Coolant Temperature Gauge
- ◆ 12 volt System with 90 amp Alternator
- ◆ Halogen Work Lights, Front and Rear
- ◆ Hour Meter
- ◆ Back-up Alarm

### DRIVE TRAIN AND FRAME

- ◆ Mechanical Faced Axle Seals
- ◆ Hydrostatic Drive System
- ◆ #100 ANSI Chain
- ◆ Offset Wheels are Reversible for Narrow or Wide Stance
- ◆ Heavy Duty Tires
- Solid Tires
- Solid Cushioned Tires (Aperture Cushioned)
- Over the Tire Tracks (OTT)

### HYDRAULIC

- ◆ Vertical Lift Path with Rugged Loader Arms
- ◆ Boom Float with Detent
- ◆ Pilot Proportional Hydraulic Controls
- ◆ Pressure Relieving Flat Faced Coupler Body
- ◆ Auxiliary Hydraulics Pump Flow 28 gal / min (106 L / min)

### WORKING EQUIPMENT

- ◆ Vertical Boom Design
- ◆ Mechanical Quick Coupler
- Hydraulic Quick Coupler
- 67" Smooth Lip Bucket (16.2 cu ft) (Narrow Wheel Position)
- 72" Smooth Lip Bucket (17.8 cu ft)
- Attachment Control Kit w/ 8 Pin Connector
- Bolt on Tooth Bar
- Pallet Forks, 42"

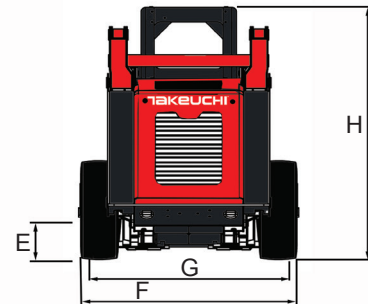
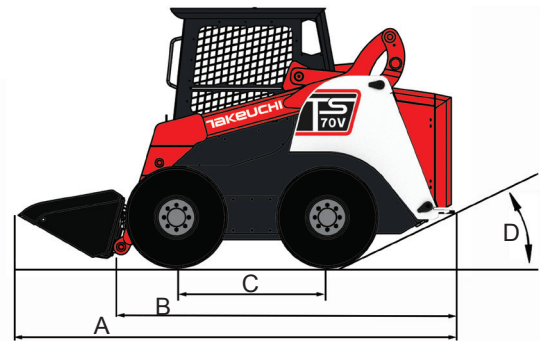
### OPERATOR'S STATION

- ◆ Tilt-up Operator Station
- ◆ Pilot Operated Joystick Controls
- ◆ Rear Pivoting Seat Bar w/ Integrated Arm Rests
- ◆ ROPS/FOPS Structure
- ◆ 12 volt Power Outlet
- Deluxe Suspension Seat
- Pressurized Cab w/ Heat
- Pressurized Cab w/ Heat and A/C
- AM/FM/MP3 Radio w/ NOAA Weather band

◆ - Standard    ○ - Optional

### MACHINE DIMENSIONS

A. Transport Length	11 ft 11.8 in (3,653 mm)
B. Machine Length	9 ft 0 in (2,764 mm)
C. Wheel Base	4 ft 0 in (1,242 mm)
D. Angle of Departure	25.5°
E. Ground Clearance	10.5 in (267 mm)
F. Overall Width - Wide Position	6 ft 0 in (1,828 mm)
G. Overall Width - Wheel Reversed	5 ft 6 in (1,676 mm)
H. Overall Height	7 ft 0 in (2,134 mm)



**TAKEUCHI**  
Those in the know, know Takeuchi